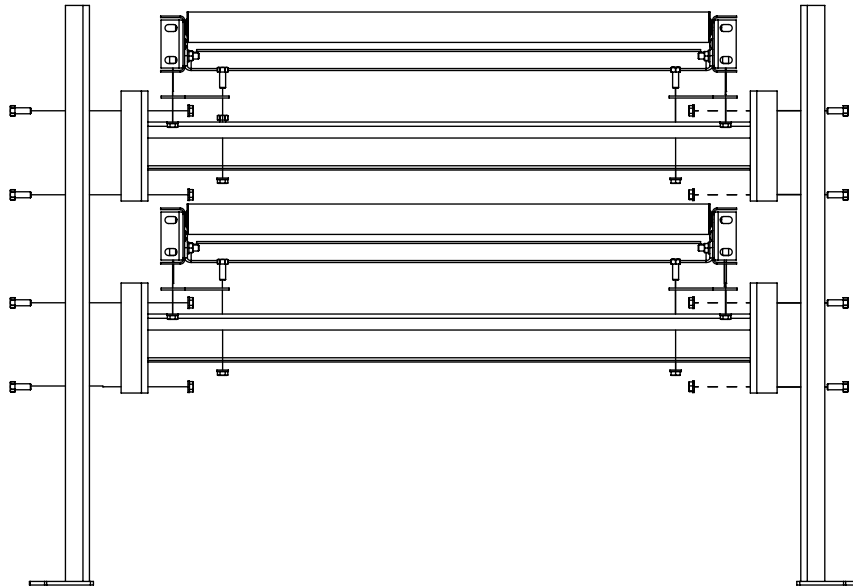
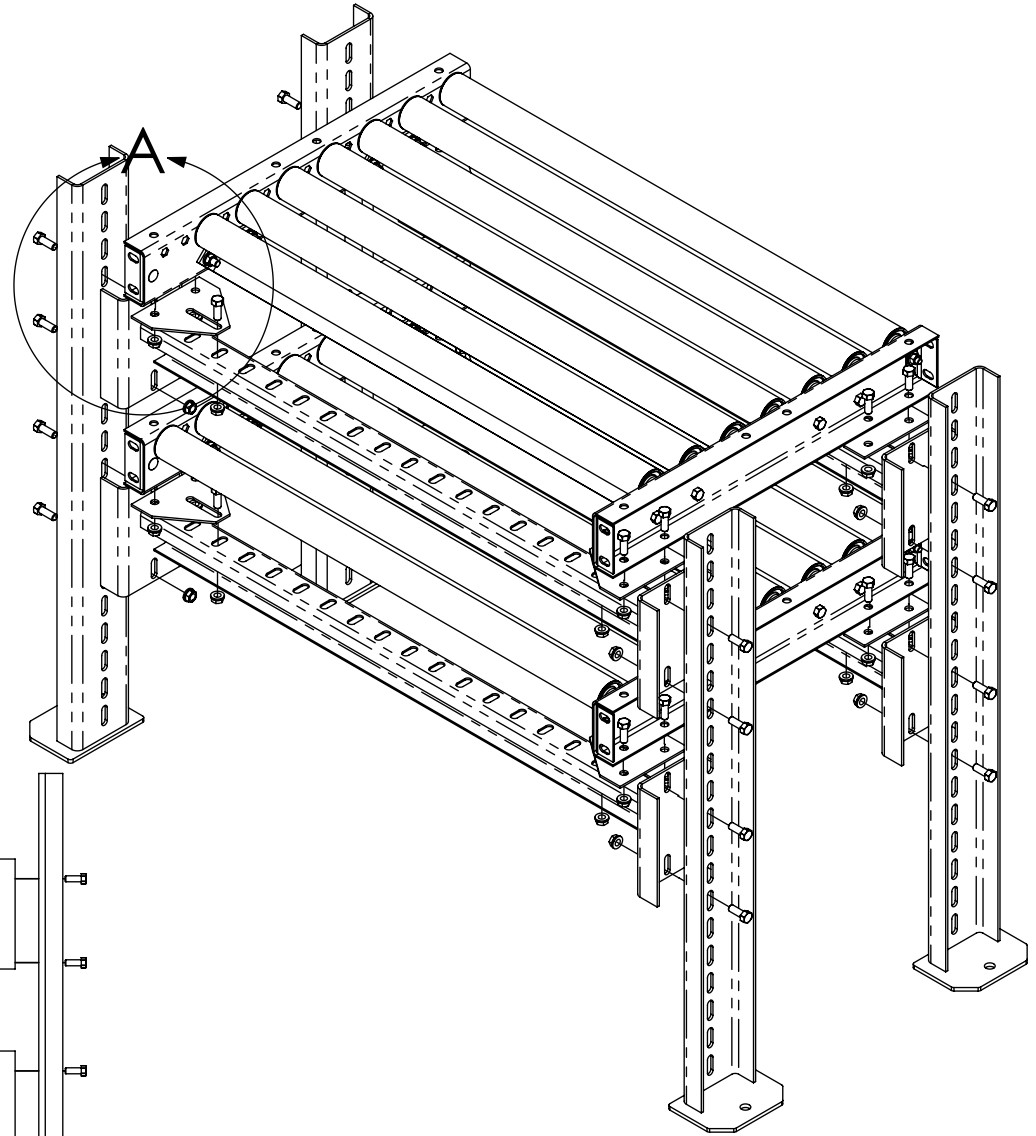


DETAIL A  
SCALE 1 : 5



APPROVAL (IF REQUIRED)

REV.

DESCRIPTION

DATE INT.

TO:

*CUSTOMER NAME*  
*SHIP TO OR CUSTOMER PO#*

DRAWN BY: tco/vjn  
DATE: 6/6/2007  
SHEET#: 1 OF 1

THIS DRAWING IS CONFIDENTIAL AND  
SUBJECT TO RETURN IT ALSO MUST  
NOT BE COPIED, REPRODUCED OR  
USED FOR ANY PURPOSE WITHOUT THE  
WRITTEN CONSENT OF LEWCO, INC.  
ALL RIGHTS RESERVED

**LEWCO, Inc.**  
706 LANE ST. SANDUSKY, OH 44870  
PH. (419) 625-4014 FAX (419) 625-3746  
WWW.LEWCOINC.COM

APPROVED BY:

ONLY THE DIMENSIONS, FEATURES AND  
NOTES EXPLICITLY PROVIDED IN THIS  
DRAWING ARE PRESENTED FOR APPROVAL  
IF ADDITIONAL INFORMATION IS NEEDED  
TO MEET CUSTOMER REQUIREMENT.  
PLEASE MARK-UP DRAWING AND RETURN TO  
LEWCO TO REVISE & RESUBMIT. SOME  
CHANGES MAY REQUIRE A PRICE CHANGE

DATE:

DRAWING: EXPLODED MTH WITH GRAVITY  
MODEL:  
DESCRIPTION: *PRODUCT CLASS DESCRIPTION*